

THIS INFORMATION AND DESIGN IS THE INTELLECTUAL PROPERTY OF KLEKO360

ALL INFORMATION DISCLOSED IS CONFIDENTIAL

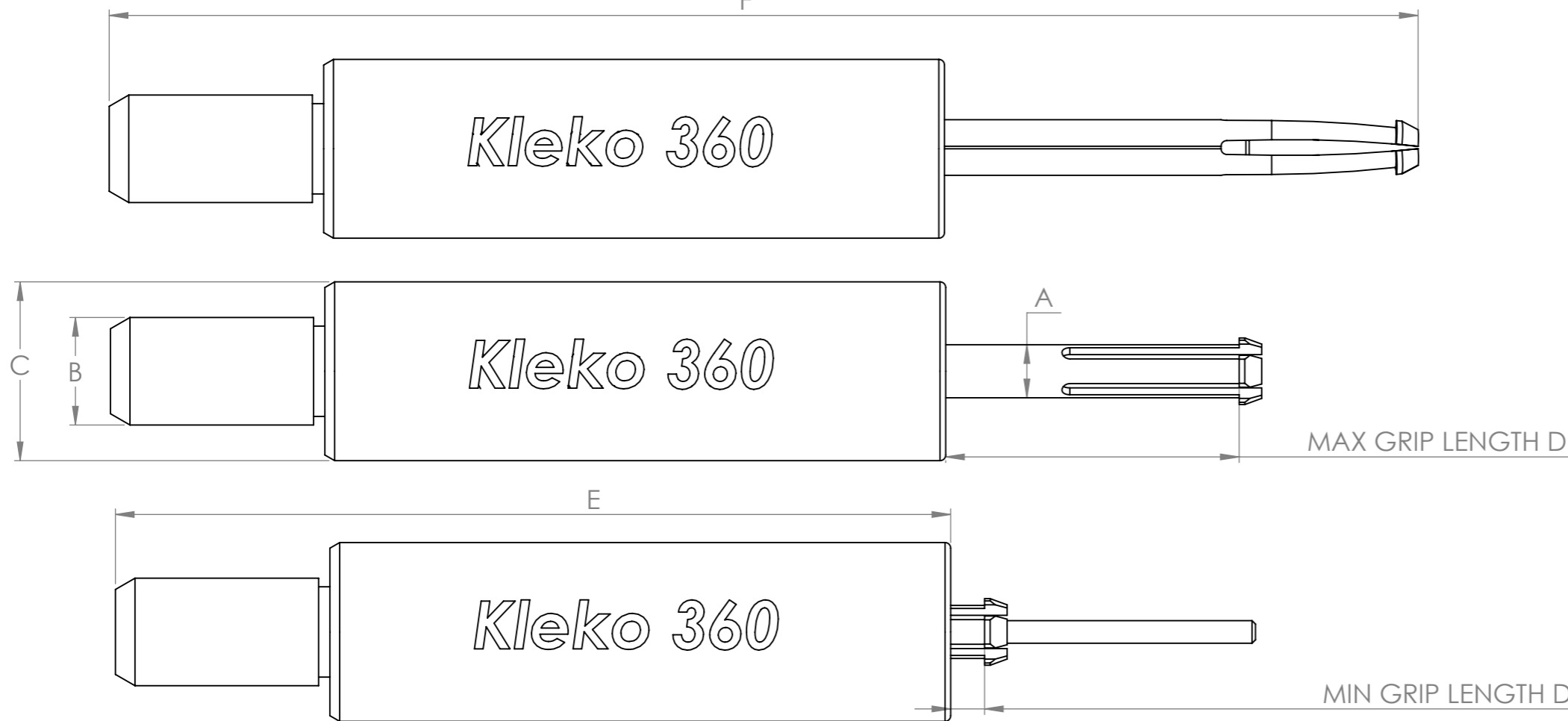
REVISIONS

REV.	DESCRIPTION	DATE	APPROVED
01	READY FOR MANUFACTURE	30/07/2020	JN
02	TOLERANCE CHANGE	23/09/2020	JN
03	TORQUE ADDED	23/09/2020	JN
04	1232 ADDED	29/10/2020	JN
05	METRIC AND IMPERIAL ON ONE TABLE	18/12/2020	JN
06	MAX HOLE ADDED	21/01/2021	JN
07	LOADS ADDED	02/02/2021	JN

NOTES:

1. ALL DIMENSIONS ARE FOR REFERENCE ONLY
2. BODY GLASSFIBRE REINFORCED NYLON
3. THREAD HEAT TREATED EN24 TO Y CONDITION
4. CLAMPING LEGS HEAT TREATED M300
4. DIP FINISHED IN BOELUBE 70104
5. PATENT NO:

EP2247862  
US8517650  
GB2455635



Kwikbolt Part Number	HOLE Diameter			Max Ø HOLE		DIAMETER (A)				DRIVE		BODY		GRIP RANGE (D)				E		F		G	CLAMP LOAD		INSTALL TORQUE #	
	Nominal	Inch	mm	Inch	mm	Max Diameter	Min Diameter	Ø B		Ø C		Min		Max		HEAD HEIGHT		TOTAL		COLOUR	lbf		N	lbf*in	Nm	
						Inch	mm	Inch	mm	Inch	mm	Inch	mm	Inch	mm	Inch	mm	Inch	mm			Inch				mm
K360-0432-000-026-FXCB-Y	1/8	0.125	3.18	0.126	3.20	0.122	3.10	0.113	2.86	3/8	9.53	5/8	15.88	0	0	1.020	26	2.910	74	4.330	110	YELLOW	148	660	4.4	0.5
K360-0532-000-026-FXCB-N	5/32	0.156	3.97	0.157	4.00	0.153	3.89	0.144	3.65	3/8	9.53	5/8	15.88	0	0	1.020	26	2.910	74	4.330	110	PINK	148	660	4.4	0.5
K360-0632-000-026-FXCB-B	3/16	0.188	4.76	0.189	4.80	0.185	4.69	0.175	4.45	3/8	9.53	5/8	15.88	0	0	1.020	26	2.910	74	4.330	110	BLUE	303	1350	13.3	1.5
K360-0732-000-026-FXCB-S	7/32	0.219	5.56	0.220	5.60	0.216	5.48	0.204	5.19	3/8	9.53	5/8	15.88	0	0	1.020	26	2.910	74	4.330	110	GREY	303	1350	13.3	1.5
K360-0832-000-026-FXCB-G	1/4	0.250	6.35	0.268	6.80	0.247	6.27	0.236	5.98	3/8	9.53	5/8	15.88	0	0	1.020	26	2.910	74	4.330	110	GREEN	303	1350	13.3	1.5
K360-1032-000-026-FXCB-W	5/16	0.313	7.94	0.331	8.40	0.310	7.86	0.298	7.57	3/8	9.53	5/8	15.88	0	0	1.020	26	2.910	74	4.330	110	WHITE	453	2015	17.7	2.0
K360-1232-000-026-FXCB-O	3/8	0.375	9.53	0.394	10.00	0.372	9.45	0.361	9.16	3/8	9.53	5/8	15.88	0	0	1.020	26	2.910	74	4.330	110	ORANGE	453	2015	17.7	2.0

# - recommended install torque and corresponding clamp load for optimal product life cycle (Kleko360 will produce much higher damp loads if required).

THIS INFORMATION AND DESIGN IS THE INTELLECTUAL PROPERTY OF KWIKBOLT LTD

ALL INFORMATION DISCLOSED IS CONFIDENTIAL

**KLEKO360**

Fleming Court, Leigh Road,  
Eastleigh, Hampshire,  
SO50 9PD

Tel: +44(0)23 8064 9729 Email: sales@kleko360.com  
Designs / information in this drawing are covered under patents

© kleko360



THIRD ANGLE

COMPUTER PRODUCED DRAWING.  
NO SCALING / MANUAL ALTERATION ALLOWED

DATE: 17 February 2021 10:07:29

REVISION 07 DRAWN K FUNG

CHECKED J.NIKLEWICZ

TITLE: K360-TE-001-07

A3

SCALE: 1:1

SHEET 1 OF 1